

MODIFICATIONS / AMENDMENTS:

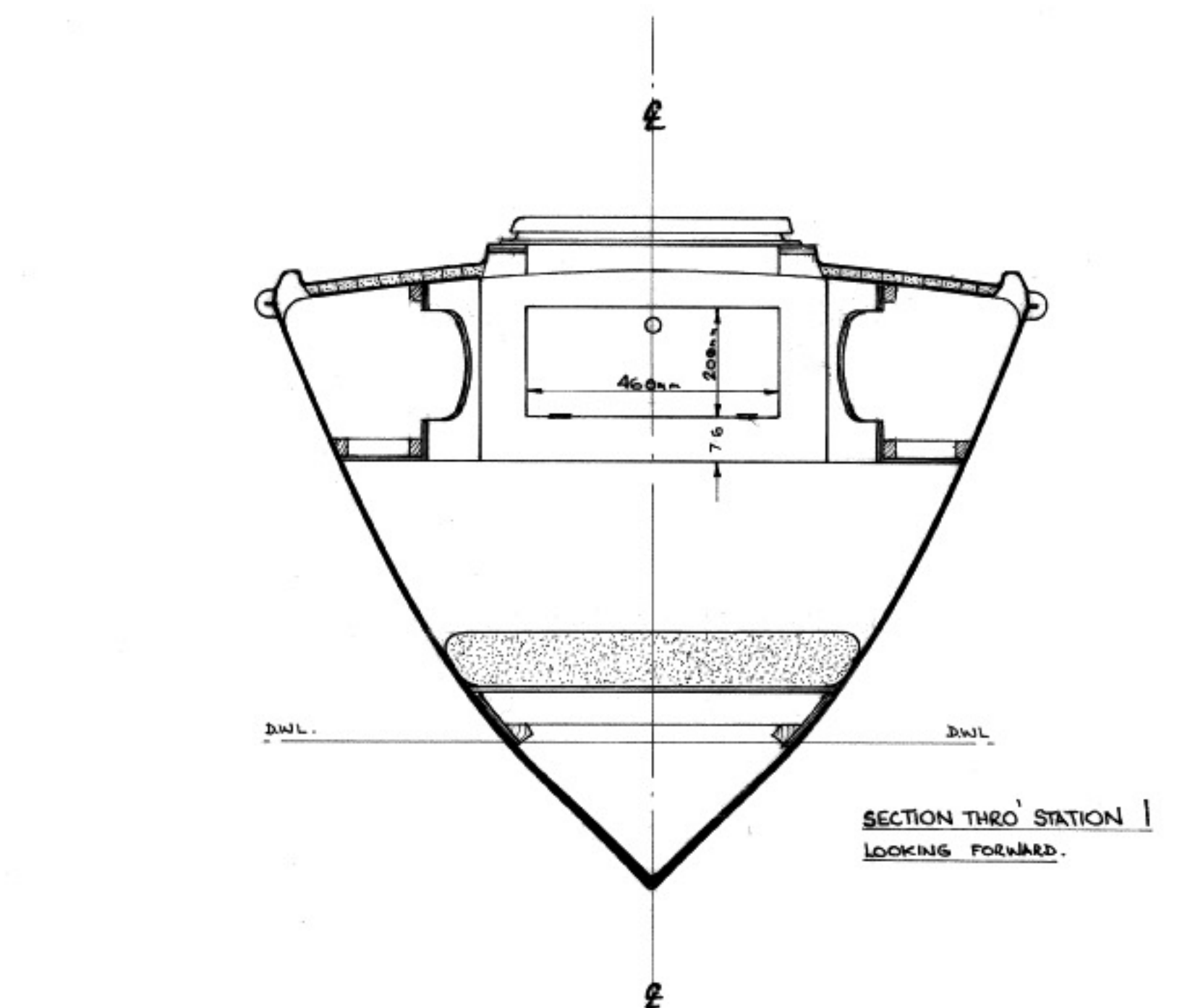
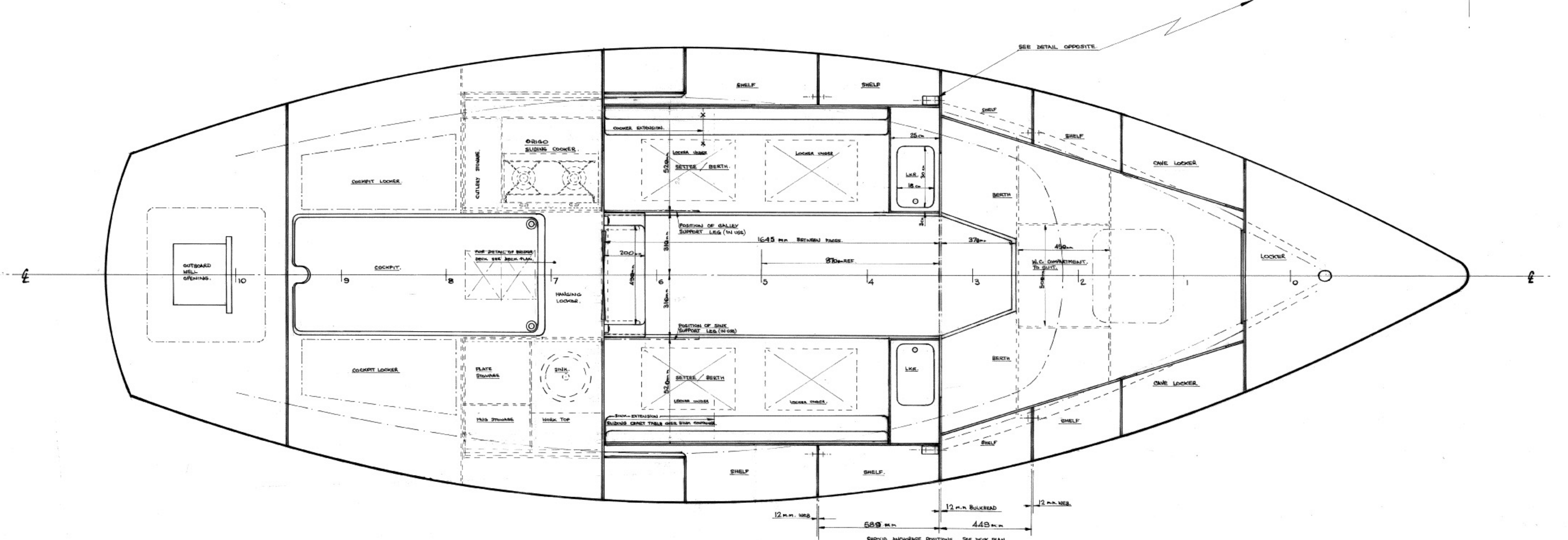
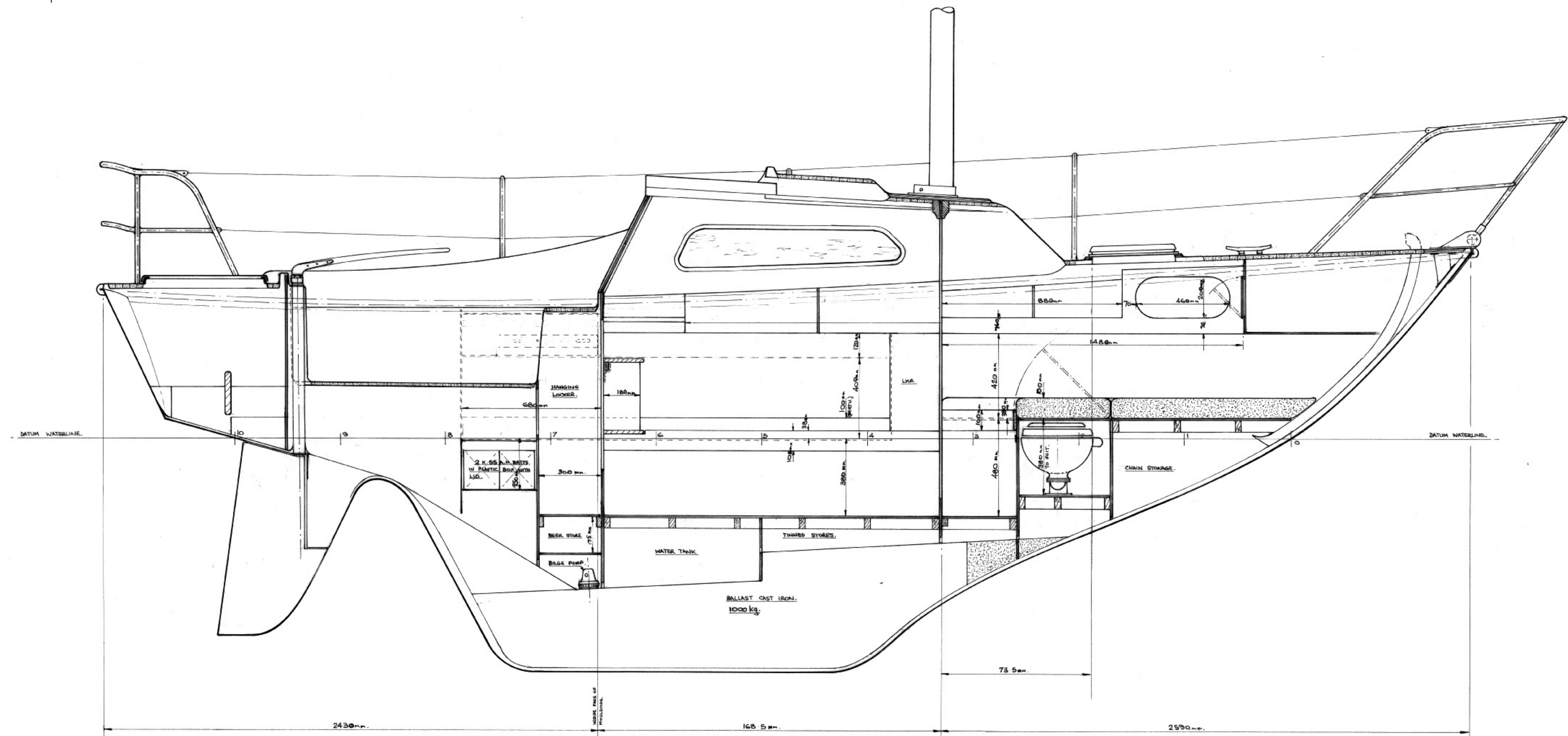
REVISIONS ACCORDING TO PREVIOUS LISTS WERE USED TO PLAN THIS.

DETAILS OF CAP SHEET ASSEMBLY, PLATE 115.

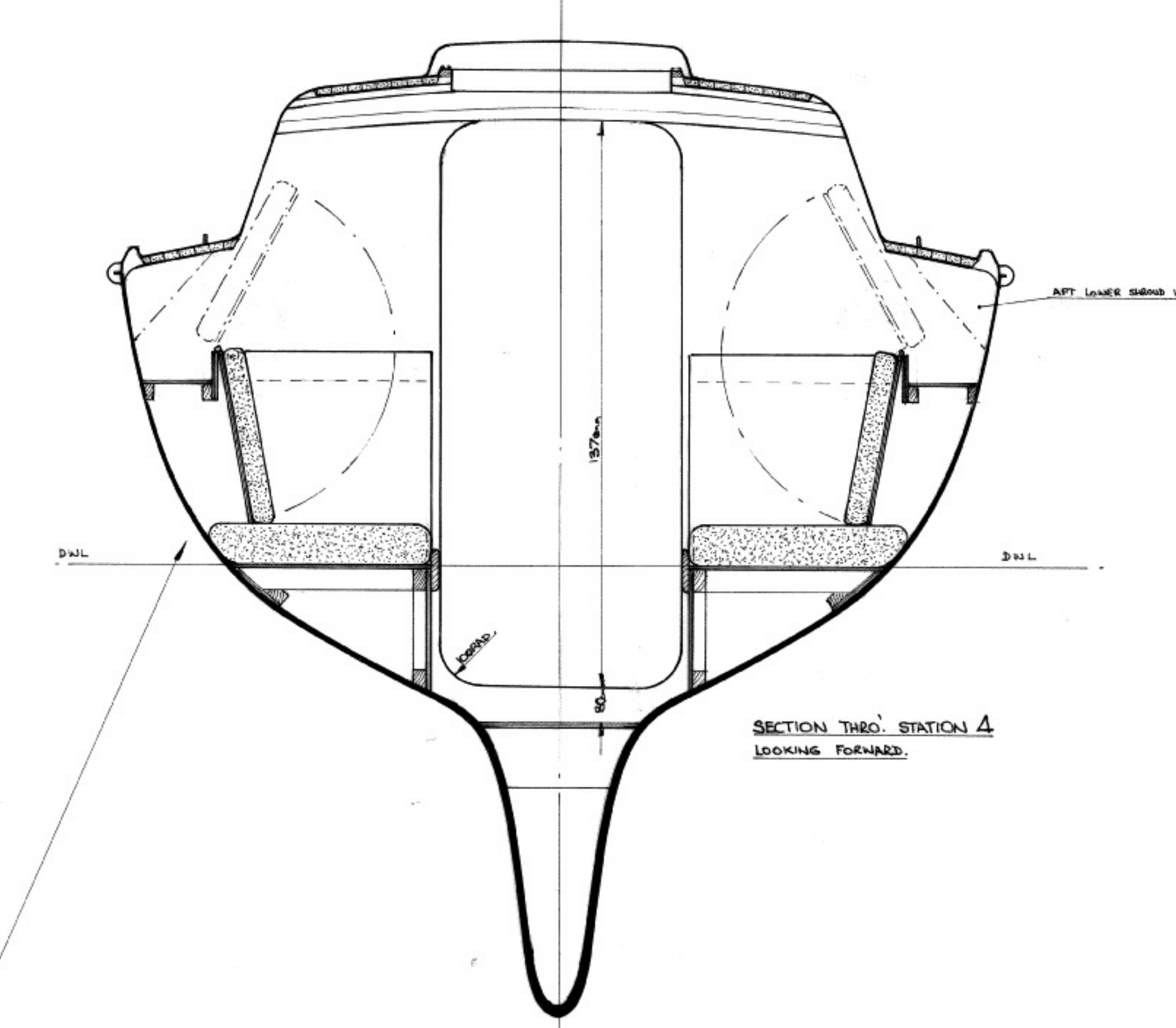
DETAILS OF LOWER RIBS, SYMMETRICAL ARRANGEMENT.

PLAN FULL PAIR OF BALLAST IRONS.

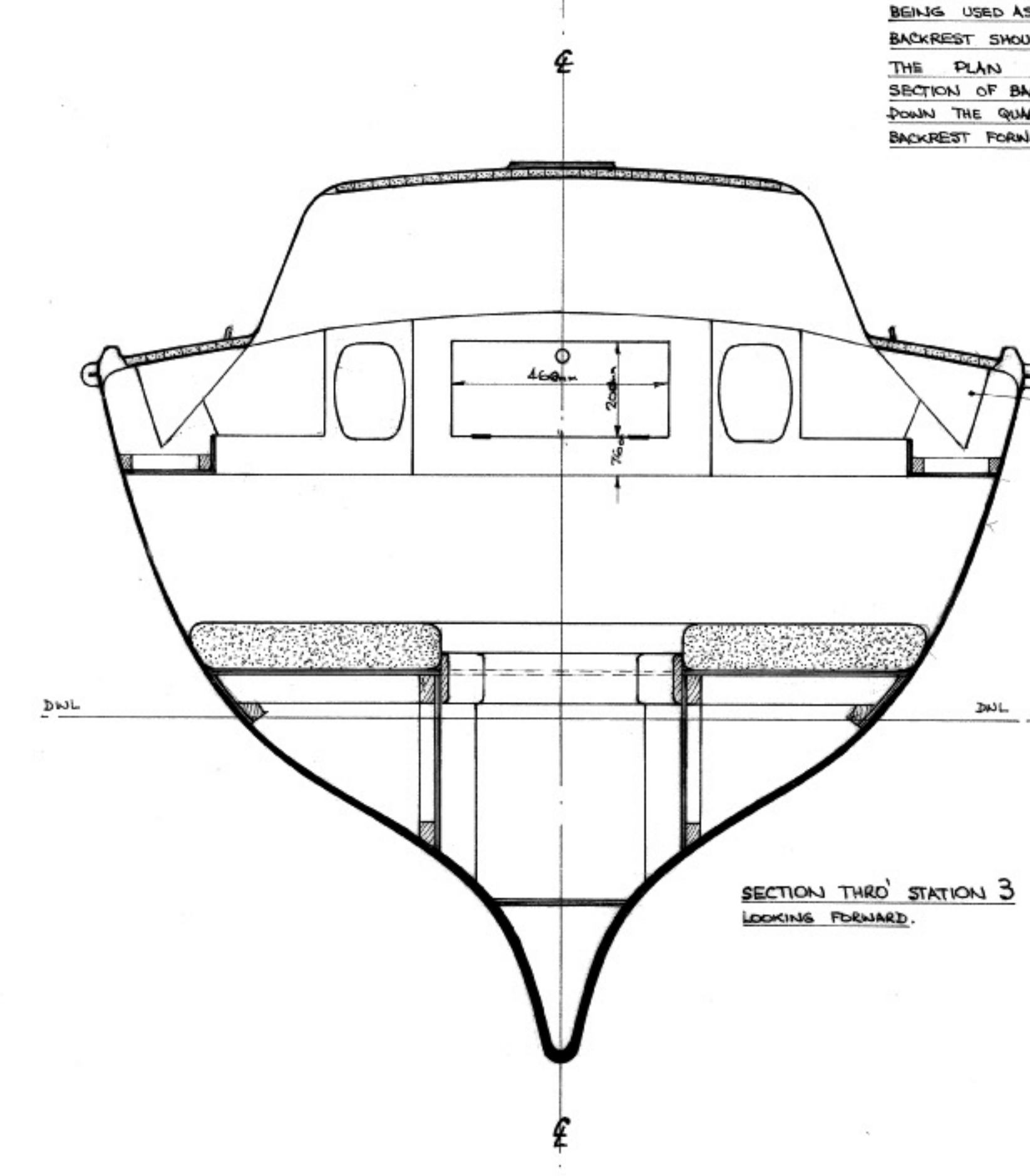
REVISIONS: 1ST OF MARCH 1981, 2ND OF MARCH 1981, 3RD OF MARCH 1981, 4TH OF MARCH 1981, 5TH OF MARCH 1981, 6TH OF MARCH 1981, 7TH OF MARCH 1981, 8TH OF MARCH 1981, 9TH OF MARCH 1981, 10TH OF MARCH 1981, 11TH OF MARCH 1981, 12TH OF MARCH 1981, 13TH OF MARCH 1981, 14TH OF MARCH 1981, 15TH OF MARCH 1981, 16TH OF MARCH 1981, 17TH OF MARCH 1981, 18TH OF MARCH 1981, 19TH OF MARCH 1981, 20TH OF MARCH 1981, 21ST OF MARCH 1981, 22ND OF MARCH 1981, 23RD OF MARCH 1981, 24TH OF MARCH 1981, 25TH OF MARCH 1981, 26TH OF MARCH 1981, 27TH OF MARCH 1981, 28TH OF MARCH 1981, 29TH OF MARCH 1981, 30TH OF MARCH 1981, 31ST OF MARCH 1981, 1ST OF APRIL 1981, 2ND OF APRIL 1981, 3RD OF APRIL 1981, 4TH OF APRIL 1981, 5TH OF APRIL 1981, 6TH OF APRIL 1981, 7TH OF APRIL 1981, 8TH OF APRIL 1981, 9TH OF APRIL 1981, 10TH OF APRIL 1981, 11TH OF APRIL 1981, 12TH OF APRIL 1981, 13TH OF APRIL 1981, 14TH OF APRIL 1981, 15TH OF APRIL 1981, 16TH OF APRIL 1981, 17TH OF APRIL 1981, 18TH OF APRIL 1981, 19TH OF APRIL 1981, 20TH OF APRIL 1981, 21ST OF APRIL 1981, 22ND OF APRIL 1981, 23RD OF APRIL 1981, 24TH OF APRIL 1981, 25TH OF APRIL 1981, 26TH OF APRIL 1981, 27TH OF APRIL 1981, 28TH OF APRIL 1981, 29TH OF APRIL 1981, 30TH OF APRIL 1981, 31ST OF APRIL 1981, 1ST OF MAY 1981, 2ND OF MAY 1981, 3RD OF MAY 1981, 4TH OF MAY 1981, 5TH OF MAY 1981, 6TH OF MAY 1981, 7TH OF MAY 1981, 8TH OF MAY 1981, 9TH OF MAY 1981, 10TH OF MAY 1981, 11TH OF MAY 1981, 12TH OF MAY 1981, 13TH OF MAY 1981, 14TH OF MAY 1981, 15TH OF MAY 1981, 16TH OF MAY 1981, 17TH OF MAY 1981, 18TH OF MAY 1981, 19TH OF MAY 1981, 20TH OF MAY 1981, 21ST OF MAY 1981, 22ND OF MAY 1981, 23RD OF MAY 1981, 24TH OF MAY 1981, 25TH OF MAY 1981, 26TH OF MAY 1981, 27TH OF MAY 1981, 28TH OF MAY 1981, 29TH OF MAY 1981, 30TH OF MAY 1981, 31ST OF MAY 1981, 1ST OF JUNE 1981, 2ND OF JUNE 1981, 3RD OF JUNE 1981, 4TH OF JUNE 1981, 5TH OF JUNE 1981, 6TH OF JUNE 1981, 7TH OF JUNE 1981, 8TH OF JUNE 1981, 9TH OF JUNE 1981, 10TH OF JUNE 1981, 11TH OF JUNE 1981, 12TH OF JUNE 1981, 13TH OF JUNE 1981, 14TH OF JUNE 1981, 15TH OF JUNE 1981, 16TH OF JUNE 1981, 17TH OF JUNE 1981, 18TH OF JUNE 1981, 19TH OF JUNE 1981, 20TH OF JUNE 1981, 21ST OF JUNE 1981, 22ND OF JUNE 1981, 23RD OF JUNE 1981, 24TH OF JUNE 1981, 25TH OF JUNE 1981, 26TH OF JUNE 1981, 27TH OF JUNE 1981, 28TH OF JUNE 1981, 29TH OF JUNE 1981, 30TH OF JUNE 1981, 31ST OF JUNE 1981, 1ST OF JULY 1981, 2ND OF JULY 1981, 3RD OF JULY 1981, 4TH OF JULY 1981, 5TH OF JULY 1981, 6TH OF JULY 1981, 7TH OF JULY 1981, 8TH OF JULY 1981, 9TH OF JULY 1981, 10TH OF JULY 1981, 11TH OF JULY 1981, 12TH OF JULY 1981, 13TH OF JULY 1981, 14TH OF JULY 1981, 15TH OF JULY 1981, 16TH OF JULY 1981, 17TH OF JULY 1981, 18TH OF JULY 1981, 19TH OF JULY 1981, 20TH OF JULY 1981, 21ST OF JULY 1981, 22ND OF JULY 1981, 23RD OF JULY 1981, 24TH OF JULY 1981, 25TH OF JULY 1981, 26TH OF JULY 1981, 27TH OF JULY 1981, 28TH OF JULY 1981, 29TH OF JULY 1981, 30TH OF JULY 1981, 31ST OF JULY 1981, 1ST OF AUGUST 1981, 2ND OF AUGUST 1981, 3RD OF AUGUST 1981, 4TH OF AUGUST 1981, 5TH OF AUGUST 1981, 6TH OF AUGUST 1981, 7TH OF AUGUST 1981, 8TH OF AUGUST 1981, 9TH OF AUGUST 1981, 10TH OF AUGUST 1981, 11TH OF AUGUST 1981, 12TH OF AUGUST 1981, 13TH OF AUGUST 1981, 14TH OF AUGUST 1981, 15TH OF AUGUST 1981, 16TH OF AUGUST 1981, 17TH OF AUGUST 1981, 18TH OF AUGUST 1981, 19TH OF AUGUST 1981, 20TH OF AUGUST 1981, 21ST OF AUGUST 1981, 22ND OF AUGUST 1981, 23RD OF AUGUST 1981, 24TH OF AUGUST 1981, 25TH OF AUGUST 1981, 26TH OF AUGUST 1981, 27TH OF AUGUST 1981, 28TH OF AUGUST 1981, 29TH OF AUGUST 1981, 30TH OF AUGUST 1981, 31ST OF AUGUST 1981, 1ST OF SEPTEMBER 1981, 2ND OF SEPTEMBER 1981, 3RD OF SEPTEMBER 1981, 4TH OF SEPTEMBER 1981, 5TH OF SEPTEMBER 1981, 6TH OF SEPTEMBER 1981, 7TH OF SEPTEMBER 1981, 8TH OF SEPTEMBER 1981, 9TH OF SEPTEMBER 1981, 10TH OF SEPTEMBER 1981, 11TH OF SEPTEMBER 1981, 12TH OF SEPTEMBER 1981, 13TH OF SEPTEMBER 1981, 14TH OF SEPTEMBER 1981, 15TH OF SEPTEMBER 1981, 16TH OF SEPTEMBER 1981, 17TH OF SEPTEMBER 1981, 18TH OF SEPTEMBER 1981, 19TH OF SEPTEMBER 1981, 20TH OF SEPTEMBER 1981, 21ST OF SEPTEMBER 1981, 22ND OF SEPTEMBER 1981, 23RD OF SEPTEMBER 1981, 24TH OF SEPTEMBER 1981, 25TH OF SEPTEMBER 1981, 26TH OF SEPTEMBER 1981, 27TH OF SEPTEMBER 1981, 28TH OF SEPTEMBER 1981, 29TH OF SEPTEMBER 1981, 30TH OF SEPTEMBER 1981, 31ST OF SEPTEMBER 1981, 1ST OF OCTOBER 1981, 2ND OF OCTOBER 1981, 3RD OF OCTOBER 1981, 4TH OF OCTOBER 1981, 5TH OF OCTOBER 1981, 6TH OF OCTOBER 1981, 7TH OF OCTOBER 1981, 8TH OF OCTOBER 1981, 9TH OF OCTOBER 1981, 10TH OF OCTOBER 1981, 11TH OF OCTOBER 1981, 12TH OF OCTOBER 1981, 13TH OF OCTOBER 1981, 14TH OF OCTOBER 1981, 15TH OF OCTOBER 1981, 16TH OF OCTOBER 1981, 17TH OF OCTOBER 1981, 18TH OF OCTOBER 1981, 19TH OF OCTOBER 1981, 20TH OF OCTOBER 1981, 21ST OF OCTOBER 1981, 22ND OF OCTOBER 1981, 23RD OF OCTOBER 1981, 24TH OF OCTOBER 1981, 25TH OF OCTOBER 1981, 26TH OF OCTOBER 1981, 27TH OF OCTOBER 1981, 28TH OF OCTOBER 1981, 29TH OF OCTOBER 1981, 30TH OF OCTOBER 1981, 31ST OF OCTOBER 1981, 1ST OF NOVEMBER 1981, 2ND OF NOVEMBER 1981, 3RD OF NOVEMBER 1981, 4TH OF NOVEMBER 1981, 5TH OF NOVEMBER 1981, 6TH OF NOVEMBER 1981, 7TH OF NOVEMBER 1981, 8TH OF NOVEMBER 1981, 9TH OF NOVEMBER 1981, 10TH OF NOVEMBER 1981, 11TH OF NOVEMBER 1981, 12TH OF NOVEMBER 1981, 13TH OF NOVEMBER 1981, 14TH OF NOVEMBER 1981, 15TH OF NOVEMBER 1981, 16TH OF NOVEMBER 1981, 17TH OF NOVEMBER 1981, 18TH OF NOVEMBER 1981, 19TH OF NOVEMBER 1981, 20TH OF NOVEMBER 1981, 21ST OF NOVEMBER 1981, 22ND OF NOVEMBER 1981, 23RD OF NOVEMBER 1981, 24TH OF NOVEMBER 1981, 25TH OF NOVEMBER 1981, 26TH OF NOVEMBER 1981, 27TH OF NOVEMBER 1981, 28TH OF NOVEMBER 1981, 29TH OF NOVEMBER 1981, 30TH OF NOVEMBER 1981, 31ST OF NOVEMBER 1981, 1ST OF DECEMBER 1981, 2ND OF DECEMBER 1981, 3RD OF DECEMBER 1981, 4TH OF DECEMBER 1981, 5TH OF DECEMBER 1981, 6TH OF DECEMBER 1981, 7TH OF DECEMBER 1981, 8TH OF DECEMBER 1981, 9TH OF DECEMBER 1981, 10TH OF DECEMBER 1981, 11TH OF DECEMBER 1981, 12TH OF DECEMBER 1981, 13TH OF DECEMBER 1981, 14TH OF DECEMBER 1981, 15TH OF DECEMBER 1981, 16TH OF DECEMBER 1981, 17TH OF DECEMBER 1981, 18TH OF DECEMBER 1981, 19TH OF DECEMBER 1981, 20TH OF DECEMBER 1981, 21ST OF DECEMBER 1981, 22ND OF DECEMBER 1981, 23RD OF DECEMBER 1981, 24TH OF DECEMBER 1981, 25TH OF DECEMBER 1981, 26TH OF DECEMBER 1981, 27TH OF DECEMBER 1981, 28TH OF DECEMBER 1981, 29TH OF DECEMBER 1981, 30TH OF DECEMBER 1981, 31ST OF DECEMBER 1981.



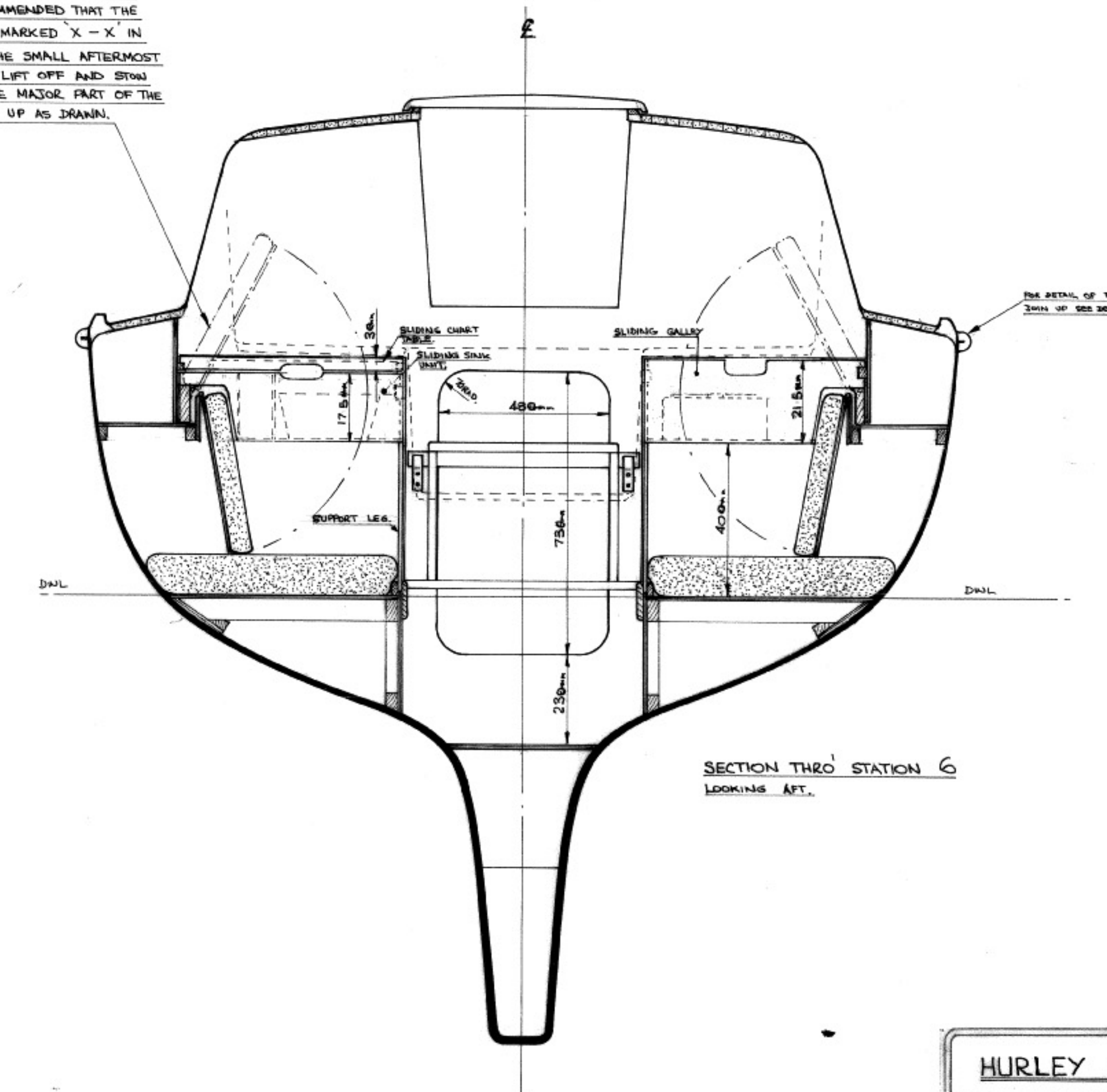
SECTION THRO STATION 1  
LOOKING FORWARD.



SECTION THRO STATION 4  
LOOKING FORWARD.

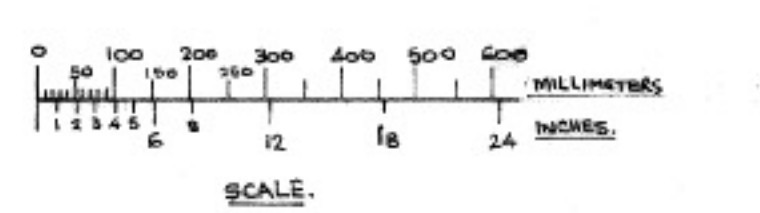
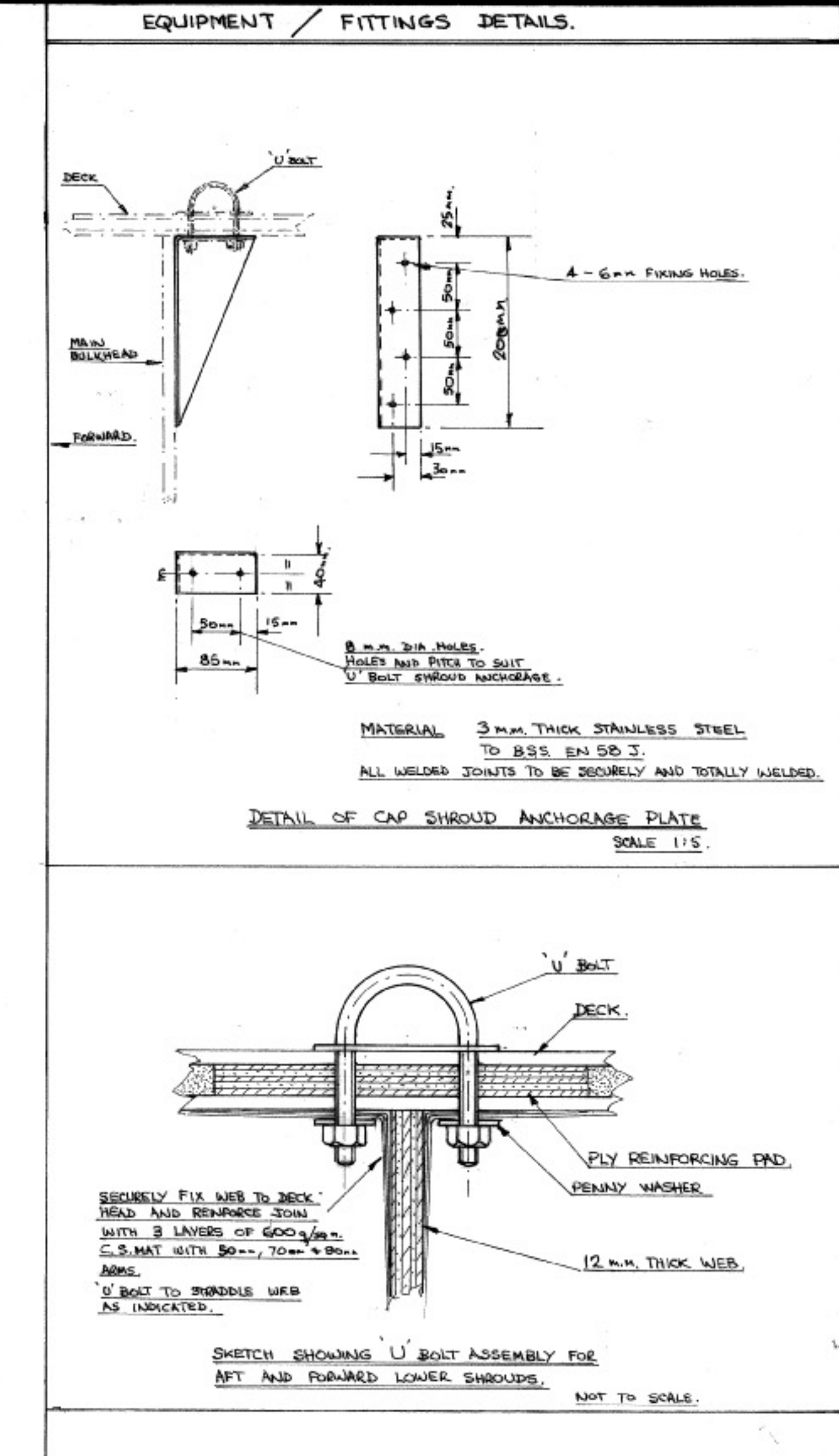


SECTION THRO STATION 3  
LOOKING FORWARD.



SECTION THRO STATION 6  
LOOKING AFT.

NOTE:  
THE BACKREST IS SHOWN AS ONE PRICE AND Hinged UPWARDS TO PROVIDE FULL SLEEPING ROOM ON THE BANK. IN THIS CONDITION IT WILL NOT BE POSSIBLE TO USE THE SLEEPING OVERLAY UNIT OR CHAIR TABLE.  
IF USE OF THESE UNITS ARE REQUIRED WHAT THE SETTEE IS BEING USED AS A BANK THEN IT IS RECOMMENDED THAT THE BACKREST SHOULD BE SEAT ON THE LINE MARKED 'X-X' IN THE PLAN VIEW OPPOSITE AND THE SMALL AFTERMOST SECTION OF BACKREST MADE SO AS TO LIFT OFF AND BEING DOWN THE QUARTER BENCH, LEAVING THE MAJOR PART OF THE BACKREST FORWARD OF 'X-X' TO HINGE UP AS DRAWN.



SCALE: ALL DIMENSIONS ARE IN MILLIMETERS.

HURLEY 700 FAMILY CRUISER		GENERAL ARRANGEMENT	
	<b>IAN L. ANDERSON M.R.I.N.A.</b> NAVAL ARCHITECTS SAIL - POWER - COMMERCIAL 7 Hauley Road Dartmouth Devon England 08043 2137		<b>COPYRIGHT</b> This design is the property of Ian L. Anderson M.R.I.N.A. and must be regarded as strictly confidential. It is not to be copied, issued to a Third Party or used for production purposes without this designers permission.
	SCALE: 1 : 10		DATE: 20 MARCH 81
	DRAWN: R.S.M.S.D.		DRG No: H 700 - 1.