

Genoa: 1000211 Robin headsail R0.des

Design Info
=====

Design File:
G:\System\Dropbox\Dropbox\Mike computer\Fareast Sails Production\2017\1000211 Robin\1000211 Robin headsail R0

Initial Design Date: 23/2/2017
Boat:

Comments:

Client:

Design Data
=====

Genoa

Measurements

Luff Geodesic:	27.087Ft
Leech Geodesic:	27.001Ft
Foot Geodesic:	13.750Ft
Luff Perpendicular (LP):	13.398Ft
Girth Upper(75%):	3.140Ft
Girth Medium(50%):	6.471Ft
Girth Lower(25%):	9.921Ft
IRC Headsail Area:	177.722Ft?
Vertical Girth:	26.570Ft
Surface Area:	179.790Ft?

Luff Curve

27.085Ft,	0.000Ft
21.197Ft,	0.087Ft
13.574Ft,	0.117Ft
6.260Ft,	0.070Ft
0.000Ft,	0.000Ft

Fanned Luff (@ 5.00% [0.6Before BSeam

100% (27.085Ft) :	0.000Ft	0.000Ft
90% (24.375Ft) :	-0.039Ft	0.049Ft
80% (21.670Ft) :	-0.077Ft	0.096Ft
70% (18.960Ft) :	-0.104Ft	0.137Ft
60% (16.252Ft) :	-0.117Ft	0.170Ft
50% (13.543Ft) :	-0.118Ft	0.192Ft
40% (10.834Ft) :	-0.109Ft	0.198Ft
30% (8.125Ft) :	-0.092Ft	0.182Ft
20% (5.418Ft) :	-0.067Ft	0.147Ft
10% (2.706Ft) :	-0.036Ft	0.093Ft
0% (0.000Ft) :	0.000Ft	0.000Ft

Genoa: 1000211 Robin headsail R0.des

Seam Allowances

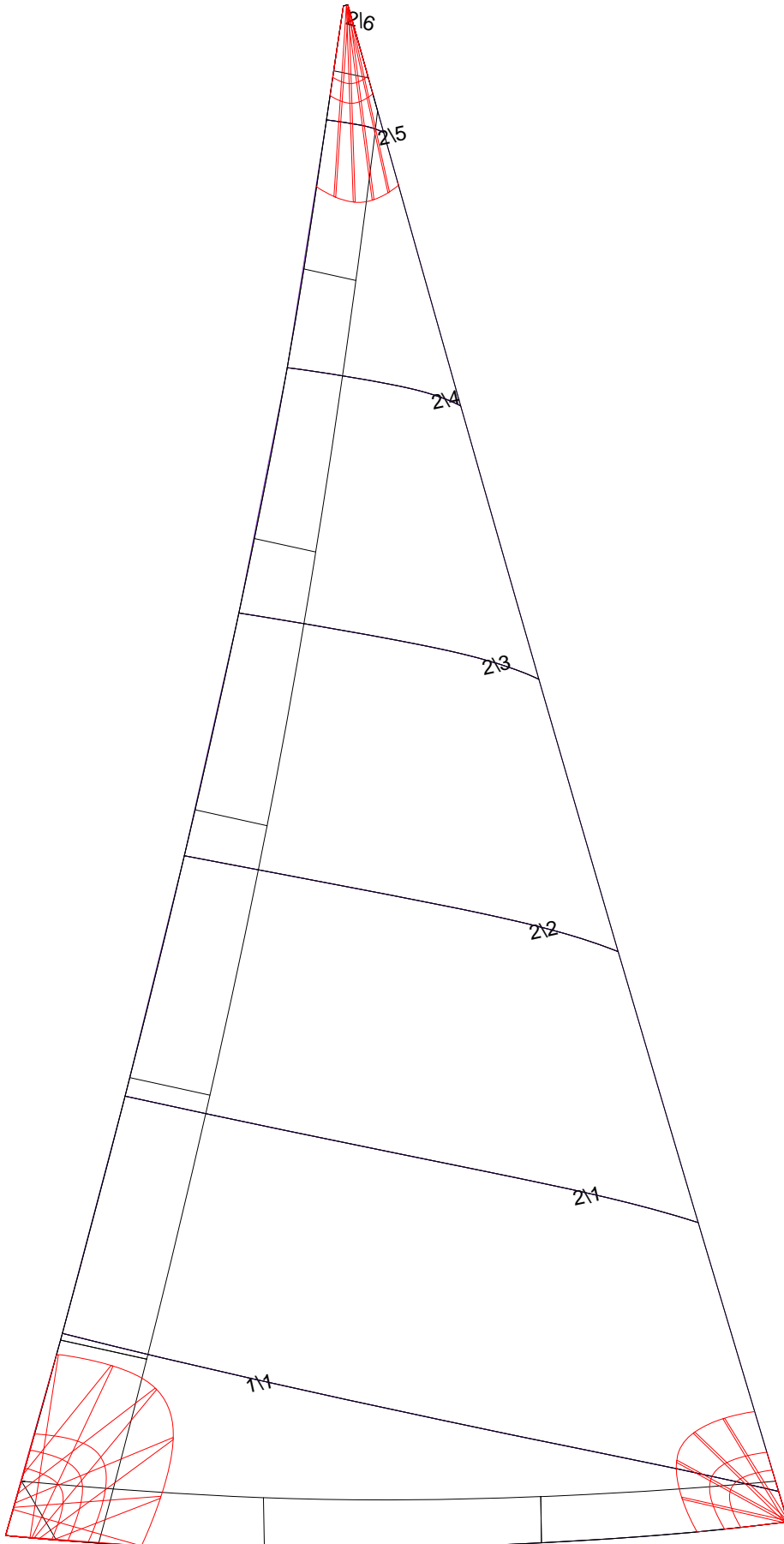
	Split	Radial	Cross
Zone: 1	0.000Ft	0.000Ft	0.082Ft
Zone: 2	0.000Ft	0.000Ft	0.082Ft
Cover 1	0.082Ft	0.082Ft	0.082Ft
Cover 2	0.082Ft	0.082Ft	0.082Ft
Cover 3	0.000Ft	0.000Ft	0.000Ft
Cover 4	0.082Ft	0.082Ft	0.082Ft

Edge Excesses

	Luff	Leech	Foot
Sail:	0.000Ft	0.000Ft	0.000Ft
Cover 0	0.164Ft	0.197Ft	0.197Ft
Cover 1	0.164Ft	0.197Ft	0.197Ft
Cover 2	0.000Ft	0.000Ft	0.000Ft
Cover 3	0.164Ft	0.197Ft	0.197Ft

Materials

Material	Area (Ft ²)	Panels
Material 1	180.06	1\1,2\1,2\2,2\3,2\4 2\5,2\6



Genoa: 1000211 Robin headsail R0.des

